

Installation Instructions

Original Instructions



Allen-Bradley

by ROCKWELL AUTOMATION

PowerFlex 750-Series Drives NEMA/UL Type 1 Kits, Frames 1...7

Catalog Numbers 20-750-NEMA1-F1, 20-750-NEMA1-F2, 20-750-NEMA1-F3, 20-750-TNEMA1-F3, 20-750-NEMA1-F4, 20-750-NEMA1-F5, 20-750-NEMA1-F6, 20-750-NEMA1-F7

Topic	Page
Summary of Changes	1
Cat. No. 20-750-NEMA1-F1, -F2, -F3, -F4, -F5, and 20-750-TNEMA1-F3 Kit Contents	1
Cat. No. 20-750-NEMA1-F1, -F2, -F3, -F4, -F5, and 20-750-TNEMA1-F3 Installation	2
Cat. No. 20-750-NEMA1-F6 Kit Contents	5
Cat. No. 20-750-NEMA1-F6 Installation	5
Cat. No. 20-750-NEMA1-F7 Kit Contents	6
Cat. No. 20-750-NEMA1-F7 Installation	6

Summary of Changes

This publication contains the following new or updated information. This list includes substantive updates only and is not intended to reflect all changes.

Topic	Page
Add instructions for new frame 3 kit catalog number 20-750-TNEMA1-F3.	4



ATTENTION: Only qualified personnel, who are trained and approved to install PowerFlex® 755TS products and are familiar with associated machinery, should plan or implement the installation, startup, and subsequent maintenance of the system. Failure to comply can result in personal injury and/or equipment damage.



ATTENTION: The information that is contained in this publication is merely a guide for proper installation. Rockwell Automation, Inc. cannot assume responsibility for the compliance or the noncompliance with any code, national, local, or otherwise for the proper installation of this drive or associated equipment. A hazard of personal injury and/or equipment damage exists if codes are ignored during installation.

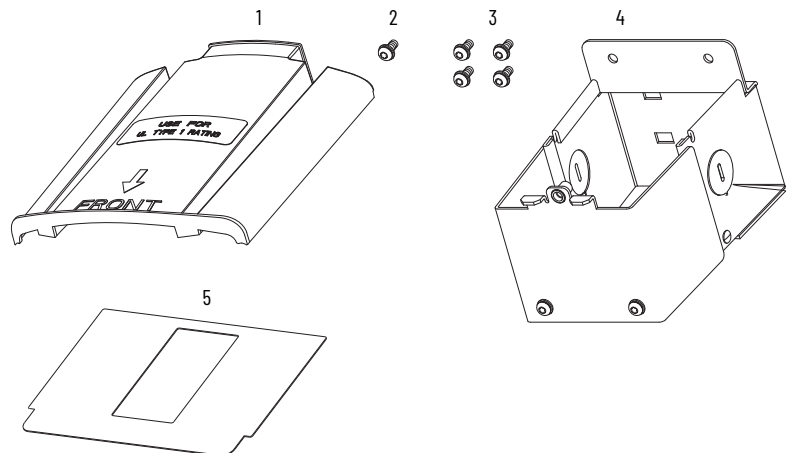
Kit, Frame Size, and Applicable PowerFlex Product

Kit Cat. No.	Frame Size	PowerFlex Product Use
20-750-NEMA1-F1	1	753/755/755TS
20-750-NEMA1-F2	2	753/755/755TS
20-750-NEMA1-F3	3	753/755/755TS
20-750-TNEMA1-F3	3	755TS

Kit Cat. No.	Frame Size	PowerFlex Product Use
20-750-NEMA1-F4	4	753/755/755TS
20-750-NEMA1-F5	5	753/755/755TS
20-750-NEMA1-F6	6	753/755/755TS
20-750-NEMA1-F7	7	753/755/755TS

Cat. No. 20-750-NEMA1-F1, -F2, -F3, -F4, -F5, and 20-750-TNEMA1-F3 Kit Contents

Item	Frame	Quantity	Description
1	1...5	1	Drip hood cover
2	1...5	1	M4 x 16 mm slotted-torx screw (T20)
3	1	4	M4 x 10 mm slotted-torx screw (T20)
	2	5	
	3, 4, 5	6	
4	1...5	1	Conduit box (2 parts)
5	3	1	Choke cover (cat. no. 20-750-TNEMA1-F3 only)



1

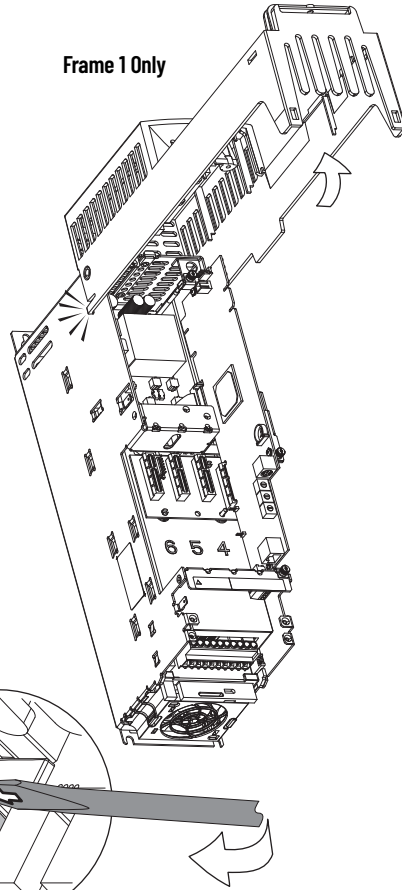
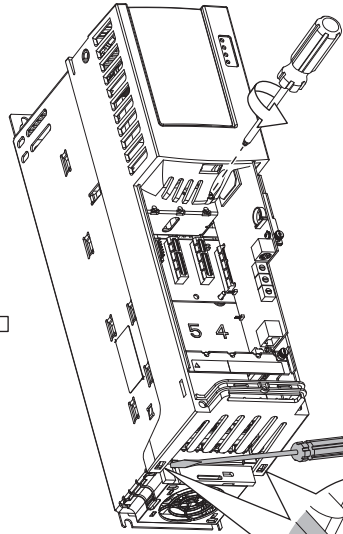
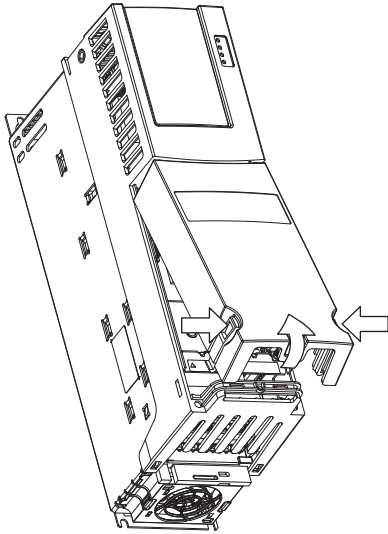
Frames 1...5 (Frame 1 Shown)

Frame 1 Only

Frame 1 Only



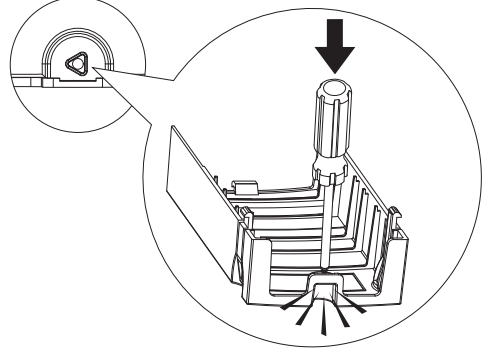
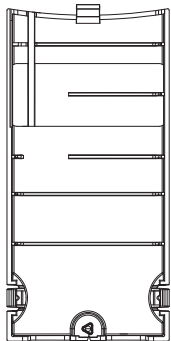
M3 captive
T15 or F - 6.4 mm (0.25 in.)
0.45 N·m (4.0 lb·in)



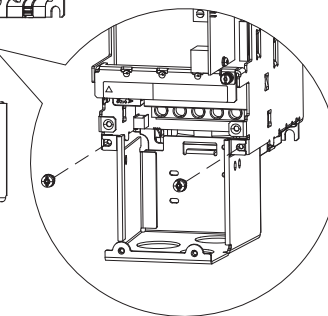
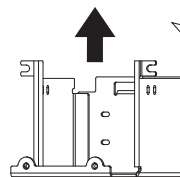
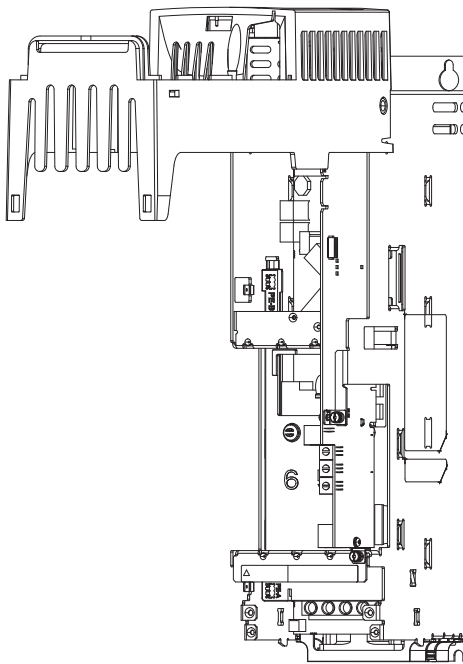
2

20-750-NEMA1-F1

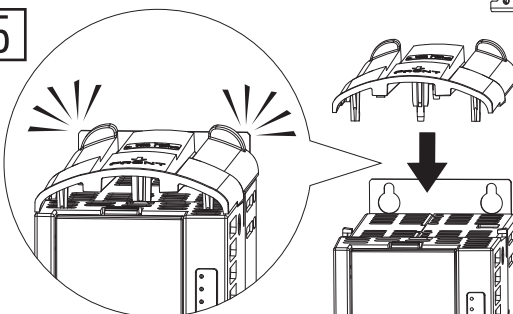
20-750-NEMA1-F2
 20-750-NEMA1-F3
 20-750-TNEMA1-F3
 20-750-NEMA1-F4
 20-750-NEMA1-F5
 See Page 4



3

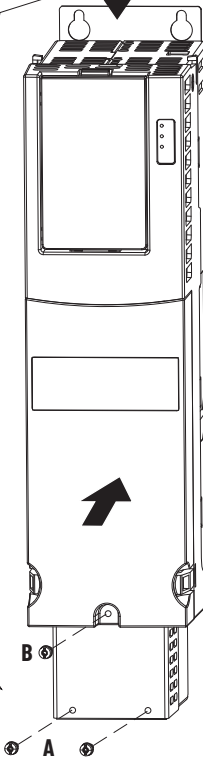
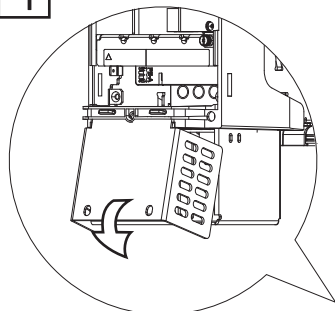


5



	M4 x 10 mm T20 or F - 6.4 mm (0.25 in.) 1.8 N·m (16.0 lb·in)
--	--

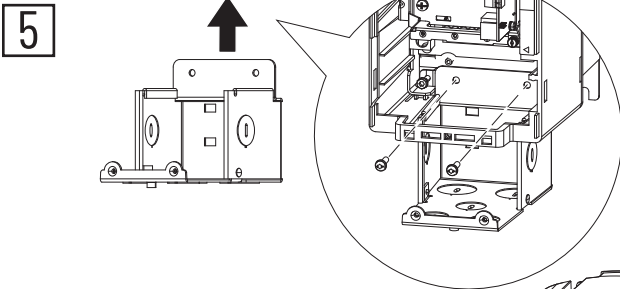
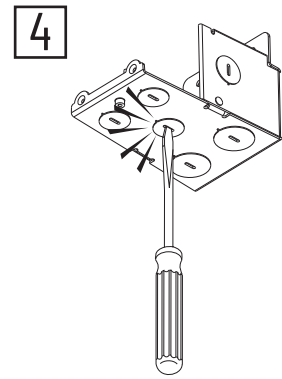
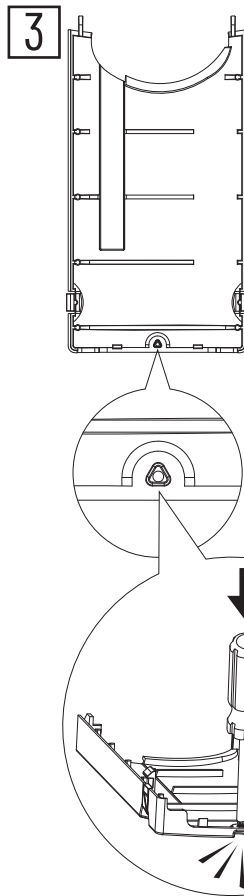
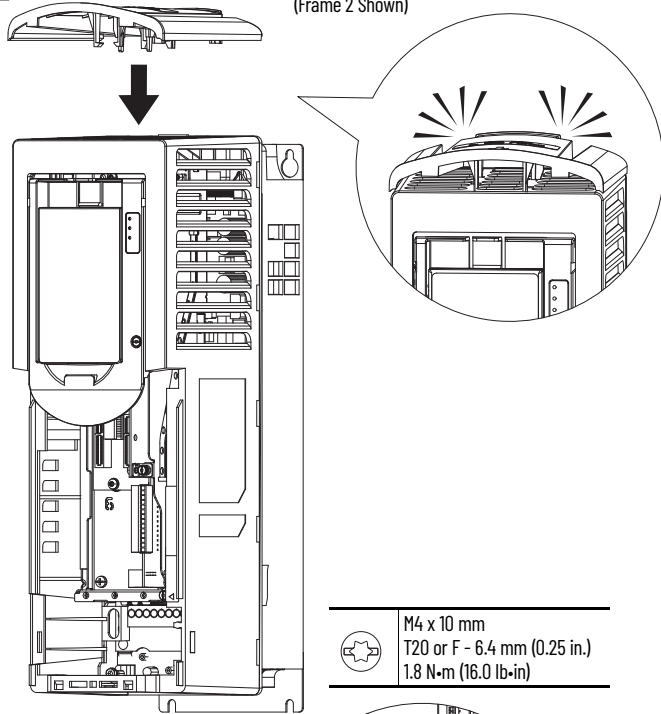
4



A		M4 x 10 mm T20 or F - 6.4 mm (0.25 in.) 1.8 N·m (16.0 lb·in)
----------	--	--

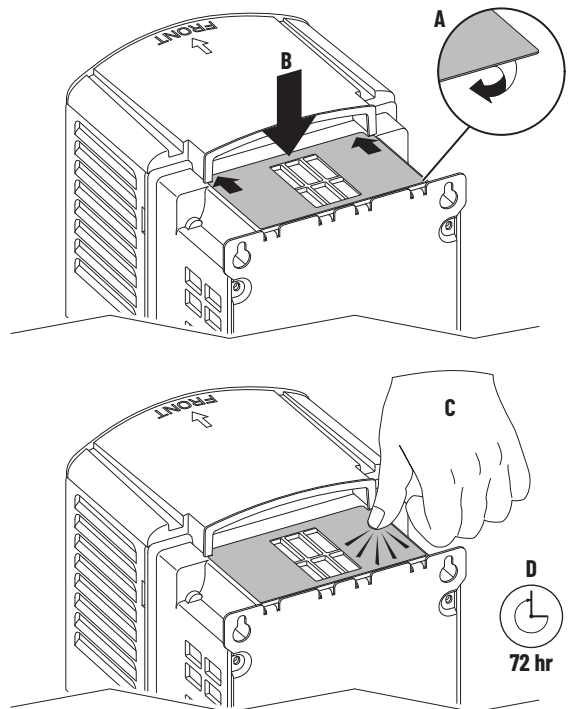
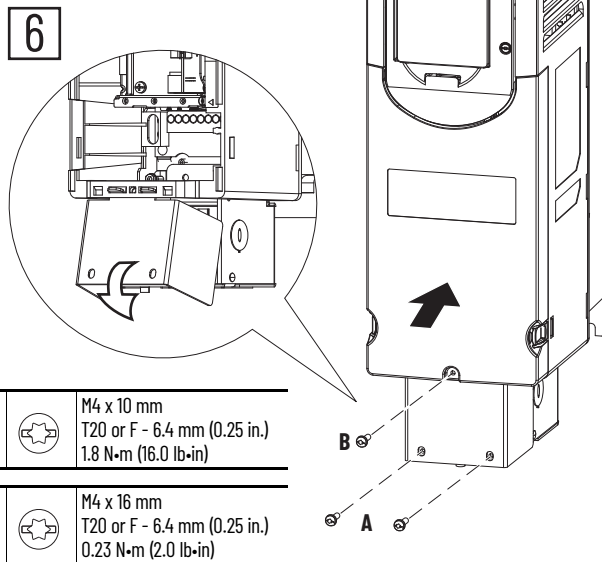
B		M4 x 16 mm T20 or F - 6.4 mm (0.25 in.) 0.23 N·m (2.0 lb·in)
----------	--	--

2 20-750-NEMA1-F2, 20-750-NEMA1-F3, 20-750-TNEMA1-F3, 20-750-NEMA1-F4, 20-750-NEMA1-F5



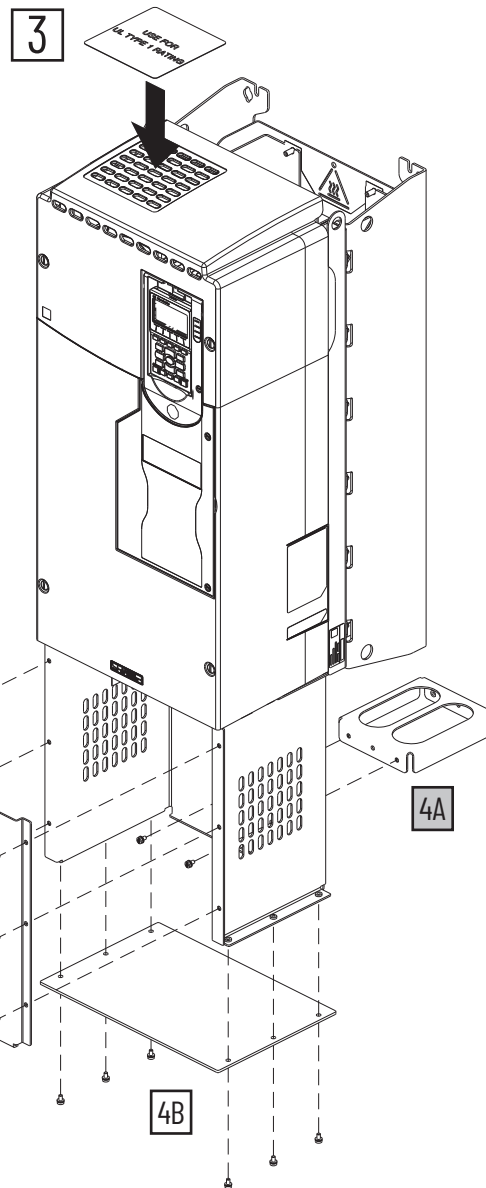
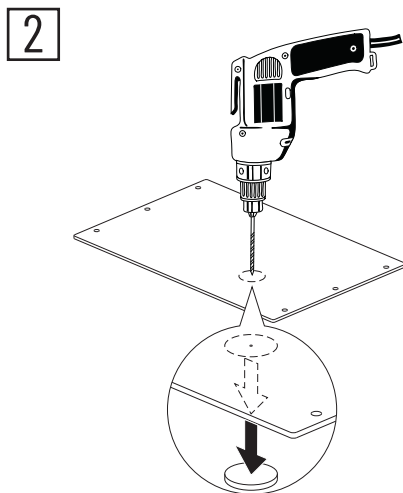
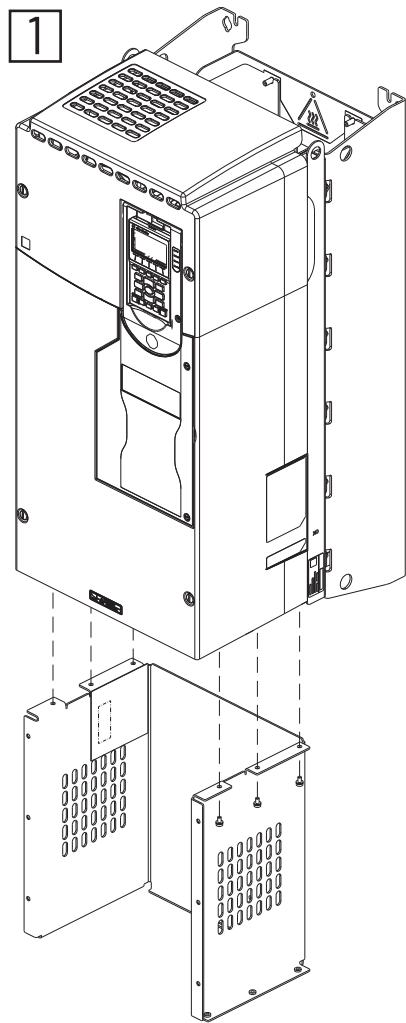
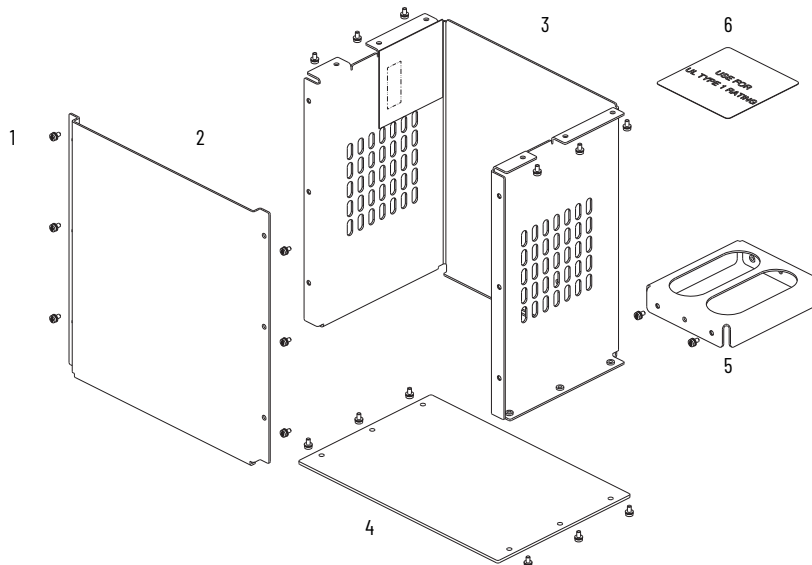
ATTENTION: A hazard of equipment failure exists. Use of the choke cover on any drive other than a frame 3 40 HP/30 kW drive can block required air flow and cause the drive to overheat.


7 Cat. No. 20-750-TNEMA1-F3
(PowerFlex 755TS, Frame 3 40 HP/30 kW ND Drives Only)




Cat. No. 20-750-NEMA1-F6 Kit Contents

Item	Quantity	Description
1	20	M4 x 8 mm slotted-torx screw (T20)
2	1	Conduit box front cover
3	1	Conduit box
4	1	Conduit box bottom plate
5	1	Conduit box support bracket
6	1	Vent cover

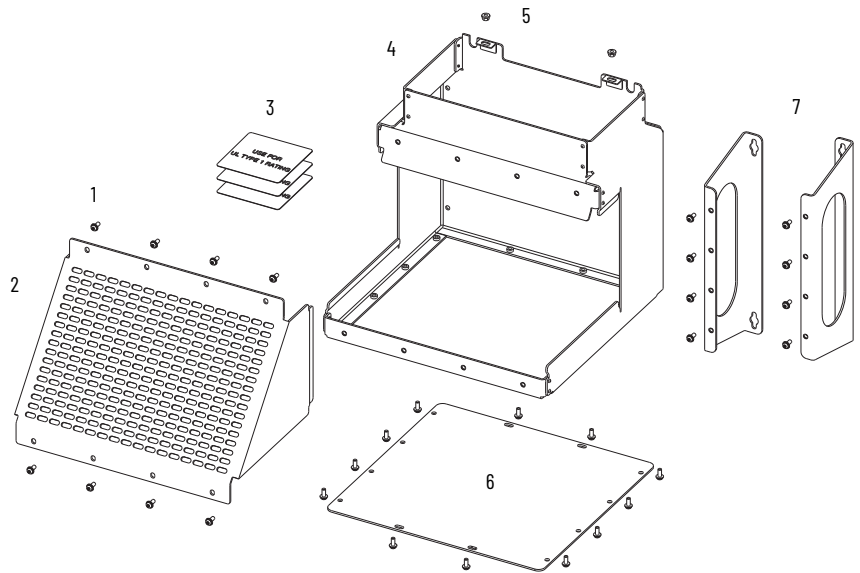


 M4 x 8 mm
T20 or F - 6.4 mm (0.25 in.)
2.6 N·m (23.0 lb·in)

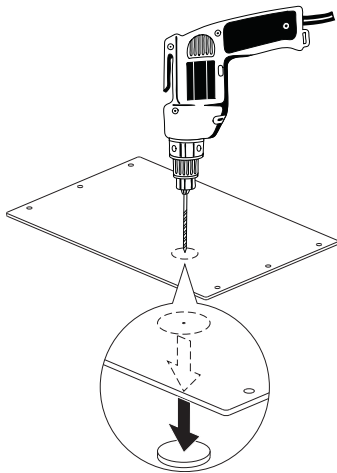
 M4 x 8 mm
T20 or F - 6.4 mm (0.25 in.)
2.6 N·m (23.0 lb·in)

Cat. No. 20-750-NEMA1-F7 Kit Contents

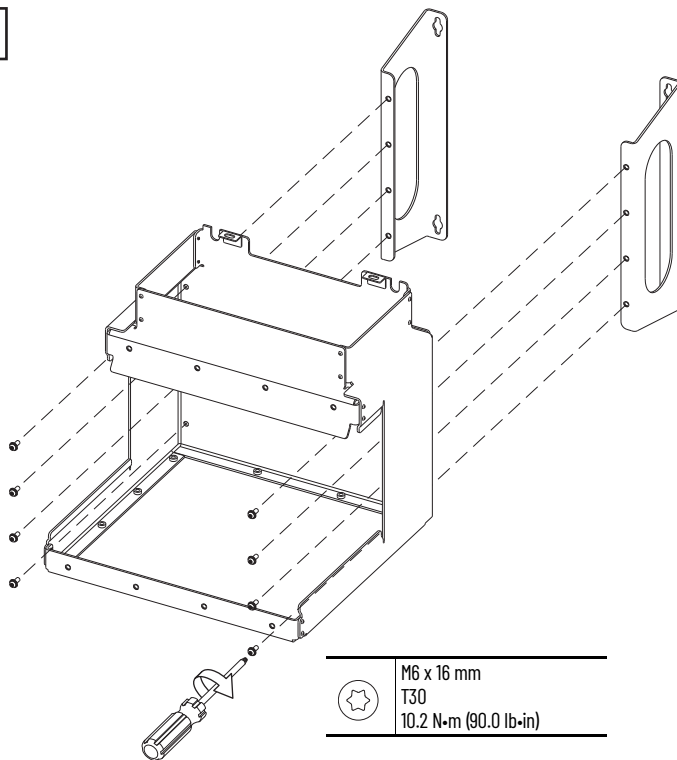
Item	Quantity	Description
1	28	M6 x 16 mm torx screw (T30)
2	1	Conduit box front cover
3	3	Vent cover
4	1	Conduit box
5	2	M6 x 1.0 hexagonal nut (10 mm)
6	1	Conduit box bottom plate
7	1	Conduit box support leg



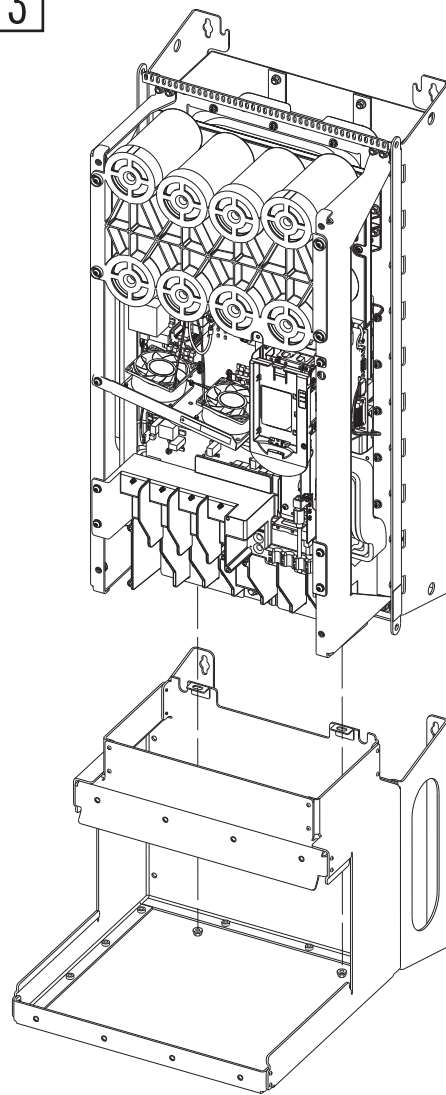
1



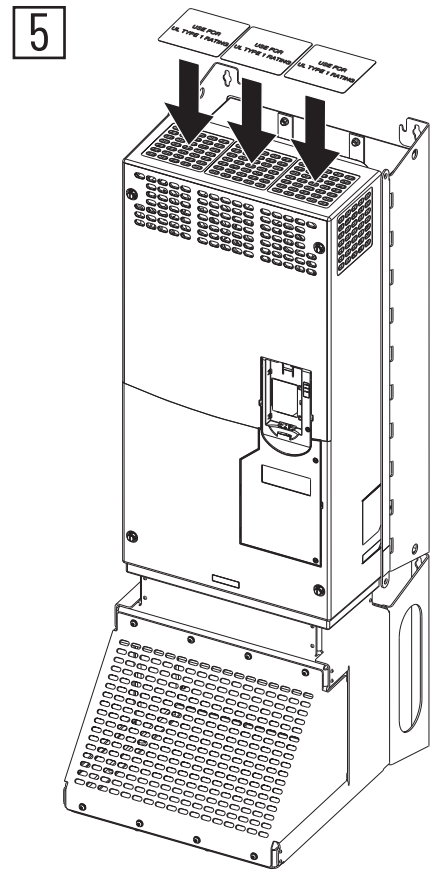
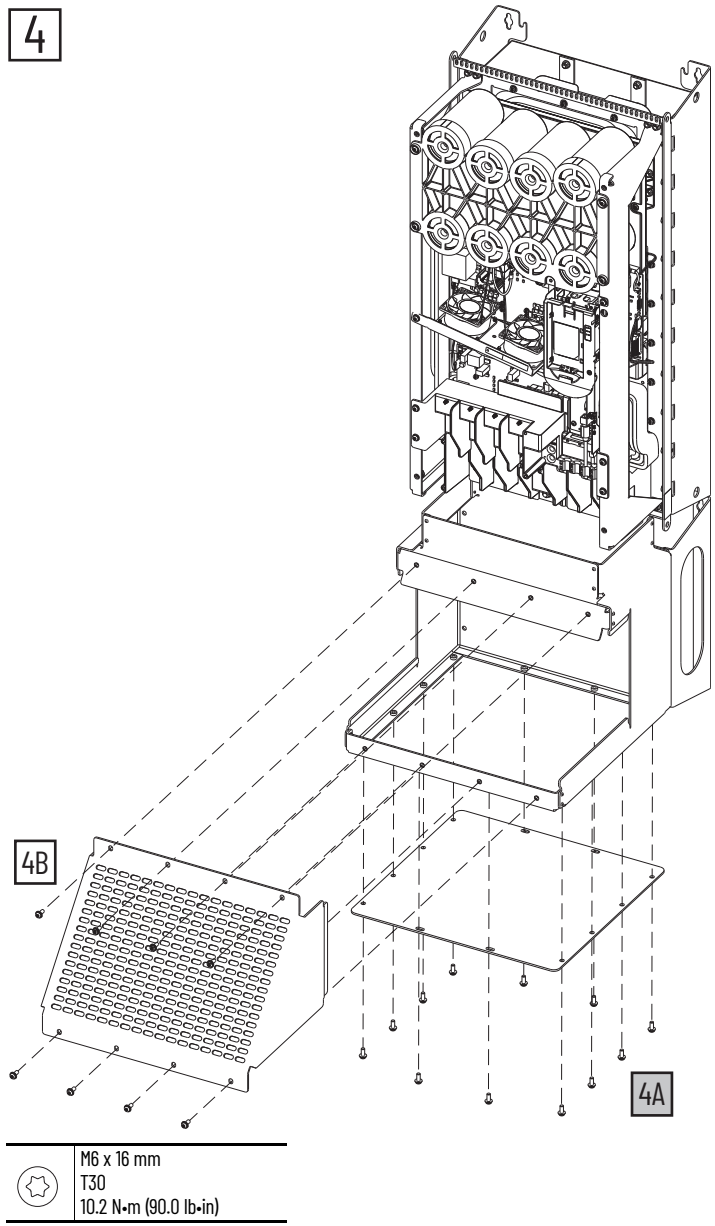
2



3



 M6 x 1.0 mm
 10 mm
 5.2 N·m (46.0 lb·in)



Additional Resources

These documents contain additional information concerning related products from Rockwell Automation.

Resource	Description
PowerFlex 750TS Products with TotalFORCE® Control Installation Instructions, publication 750-IN119	Provides the basic steps to install PowerFlex 755TS drives.
PowerFlex 750TS Products with TotalFORCE Control Technical Data publication 750-TD104	Provides detailed information on: <ul style="list-style-type: none"> • Drive specifications • Option specifications • Fuse and circuit breaker ratings
Wiring and Grounding Guidelines for Pulse Width Modulated (PWM) AC Drives, publication DRIVES-IN001	Provides basic information to properly wire and ground PWM AC drives.
Safety Guidelines for the Application, Installation, and Maintenance of Solid-state Control, publication SG1-11	Designed to harmonize with NEMA Standards Publication No. ICS 1.1-1987 and provides general guidelines for the application, installation, and maintenance of solid-state control in the form of individual devices or packaged assemblies incorporating solid-state components.
Industrial Automation Wiring and Grounding Guidelines, publication 1770-4.1	Provides general guidelines for installing a Rockwell Automation industrial system.
Product Certifications website, rok.auto/certifications .	Provides declarations of conformity, certificates, and other certification details.

You can view or download publications at rok.auto/literature.

Rockwell Automation Support

Use these resources to access support information.

Technical Support Center	Find help with how-to videos, FAQs, chat, user forums, and product notification updates.	rok.auto/support
Knowledgebase	Access Knowledgebase articles.	rok.auto/knowledgebase
Local Technical Support Phone Numbers	Locate the telephone number for your country.	rok.auto/phonesupport
Literature Library	Find installation instructions, manuals, brochures, and technical data publications.	rok.auto/literature
Product Compatibility and Download Center (PCDC)	Download firmware, associated files (such as AOP, EDS, and DTM), and access product release notes.	rok.auto/pcdc

Documentation Feedback

Your comments help us serve your documentation needs better. If you have any suggestions on how to improve our content, complete the form at rok.auto/docfeedback.





Waste Electrical and Electronic Equipment (WEEE)



At the end of life, this equipment should be collected separately from any unsorted municipal waste.

Rockwell Automation maintains current product environmental compliance information on its website at rok.auto/pec.

Rockwell Otomasyon Ticaret A.Ş. Kar Plaza İş Merkezi E Blok Kat:6 34752 İçerenköy, İstanbul, Tel: +90 (216) 5698400 EEE Yönetmeliğine Uygundur

Connect with us.    

rockwellautomation.com

expanding human possibility®

AMERICAS: Rockwell Automation, 1201 South Second Street, Milwaukee, WI 53204-2496 USA, Tel: (1) 414.382.2000, Fax: (1) 414.382.4444

EUROPE/MIDDLE EAST/AFRICA: Rockwell Automation NV, Pegasus Park, De Kleetlaan 12a, 1831 Diegem, Belgium, Tel: (32) 2 663 0600, Fax: (32) 2 663 0640

ASIA PACIFIC: Rockwell Automation, Level 14, Core F, Cyberport 3, 100 Cyberport Road, Hong Kong, Tel: (852) 2887 4788, Fax: (852) 2508 1846

Allen-Bradley, expanding human possibility, PowerFlex, Rockwell Automation, and TotalFORCE are trademarks of Rockwell Automation, Inc. Trademarks not belonging to Rockwell Automation are property of their respective companies.



PN-649259